

Bobo Pouf



Inspired From

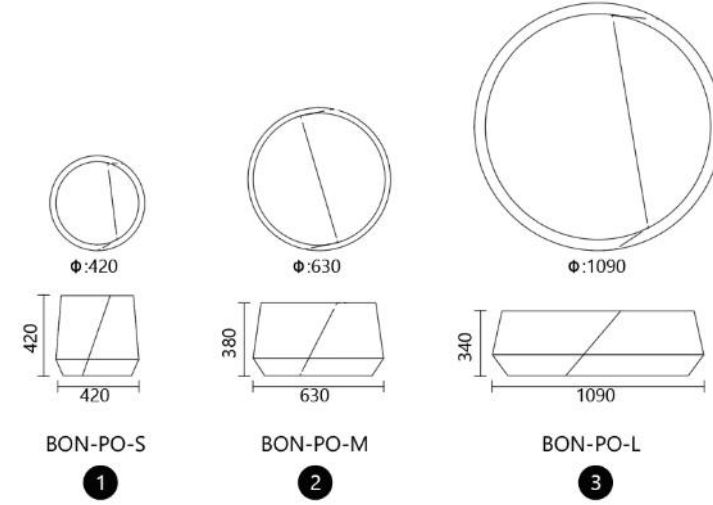
The Bobo Pouf Series, inspired by minimalist modern architecture, deliberately deduces concise lines in modern architecture. Use hard and elegant tangents to form a group of simple and highly constructed stools.



Bobo Pouf tangential design is not only for the appearance but also provides a greater foot space from the bottom inside of the tangential angle, to meet the user's needs of different sitting postures and ergonomics, the upper and lower color separation design makes the product more colorful, to satisfy different space and different customer.



Family Range

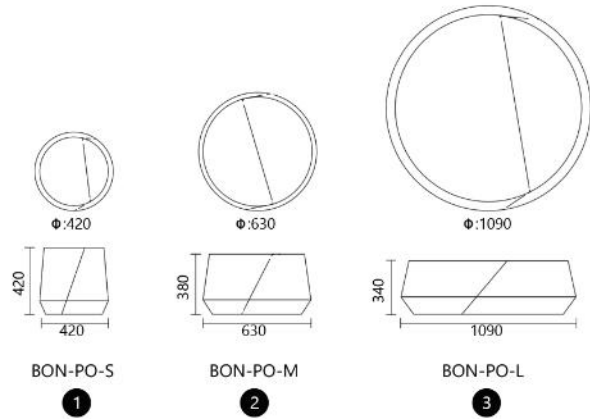


It is equipped with a variety of sizes, different sizes can be adapted to different purposes and environments, and Bobo Pouf is not only a bench, but also can be used as a tea table and footstool, can be used in leisure areas, discussion areas and other office space.



Bobo Pouf series, can be scattered at will, can also be placed in groups of three or two, thereby ornament space, configuring of a variety of office space.

Specification/Fabric

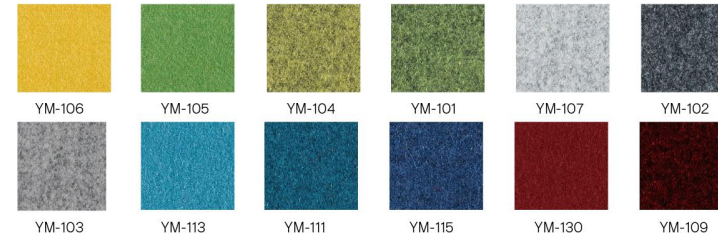


Surface material Imported cashmere cloth or high-quality domestic imitation cashmere fabric, after anti-fouling, fire treatment, high wear resistance, through SGS standard certification.

Internal material 1, imported New Zealand pine, into the fumigation, pest control treatment, no obvious scar knot; 2, the use of 45 density high elastic cutting sponge, through SGS standard certification, environmental protection, sedentary not deformation.

process Use benzene-free adhesive to bond the sponge, and do not use waste liner inside.

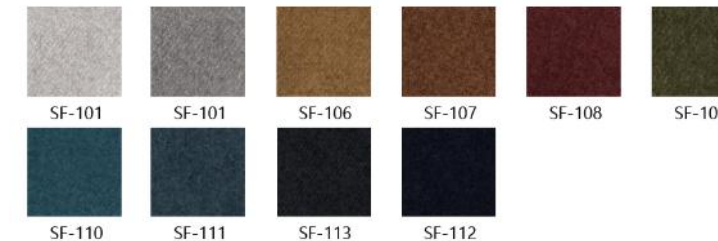
H-YM



Y-JD



A-SF



S-JA

